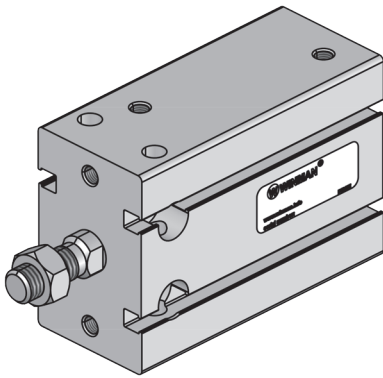


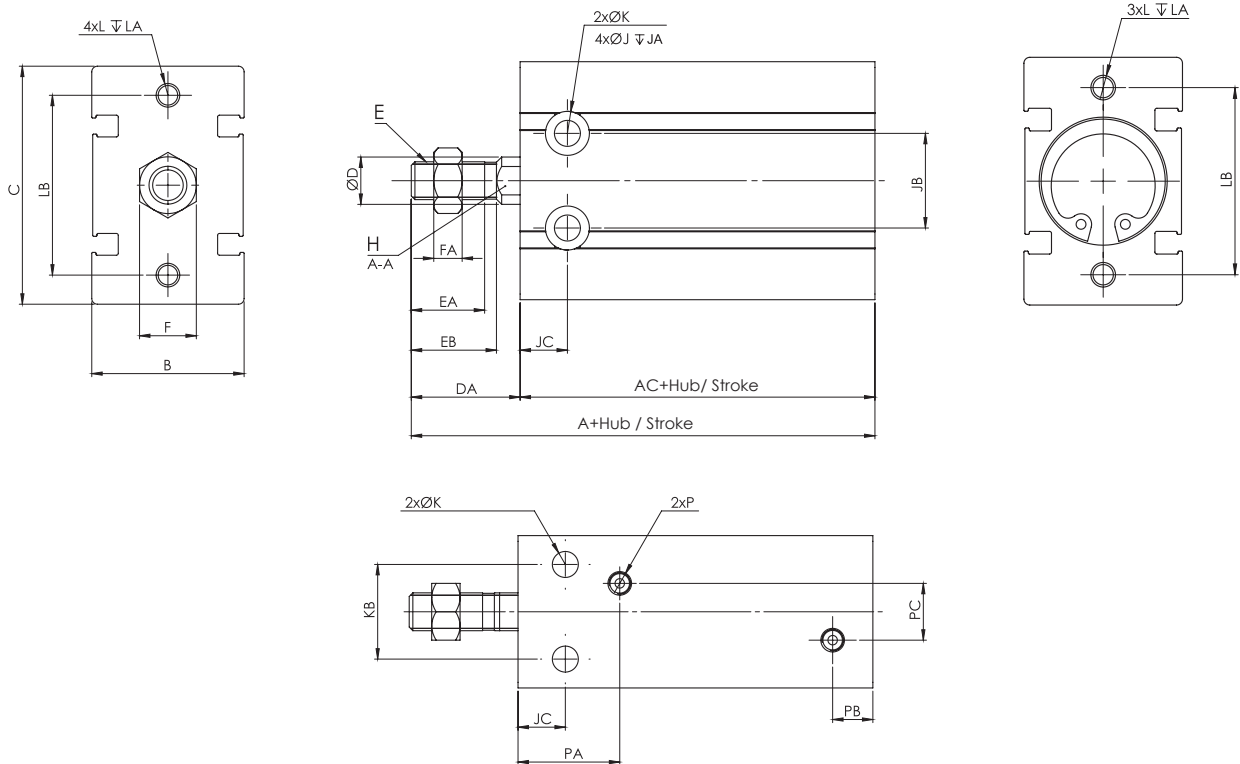
## WMD - Serie Zylinder/ WMD - Series Cylinders



### Spezifikation/ Specification

Bohrungsgröße/Bore Size	6	10	16	20	25	32
Arbeitstyp/Acting Type	Doppeltwirkend/Double Acting					
Flüss/Fluid	Luft (40µm gefiltert) /Air (40µm filtered)					
Betriebsdruck/Op. Pressure	1 ~ 10 bar					
Temperatur/Temperature	-20 ~ +80 ° C					
Geschwindigkeitsbereich/Speed Range	30 ~ 500 mm/s					
Magnetisch/Magnetic	Standard					
Gleitführung/Cush. Type	Stoßstange/ Bumper					
Sensors/Sensor	WT-06					

### Technische Zeichnung/Technical Drawing



Ø mm	B	C	D	DA	E	EA	EB	F	FA	H	J	JA	JB	JC	K	KB	L	LA	LB	P	PA	PB	PC	Without Magnet		With Magnet	
																								AC	A	AC	A
6	16.5	22	3	13	M3 x 0.5	7	8	5.5	2.5	-	6	5	10	7	3.3	7	M3 x 0.5	5	17	M5 x 0.8	14	10	-	33	46	33	46
10	16.5	24	4	16	M4 x 0.7	10	11	7	2	-	6	5.5	11	7	3.3	9	M3 x 0.5	5	18	M5 x 0.8	15.5	10	-	36	52	36	52
16	20	32	6	16	M5 x 0.8	11	12.5	8	4	5	7.5	6.5	14	7	4.5	12	M4 x 0.7	5	25	M5 x 0.8	14.5	10	3	30	46	40	56
20	26	40	8	19	M6 x 1.0	12	14	10	5	6	9.5	8	16	9	5.5	16	M5 x 0.8	7.5	30	M5 x 0.8	19	11	9	36	55	46	65
25	32	50	10	23	M8 x 1.25	15.5	18	12	6	8	9.5	9	20	10	5.5	20	M5 x 0.8	8	38	M5 x 0.8	21.5	8.5	12	40	63	50	73
32	40	62	12	27	M10 x 1.25	19.5	22	17	6	10	11	11.5	24	11	6.5	24	M6 x 1.0	9	48	G 1/8"	23	12.5	13	42	69	52	79

### Bestellnummer/Ordering Code

Model	Diameter DIA	Hub Stroke
MD	016	0025
Multi Mounting	Kolben (mm) Piston Dia	Hub(mm) Stroke